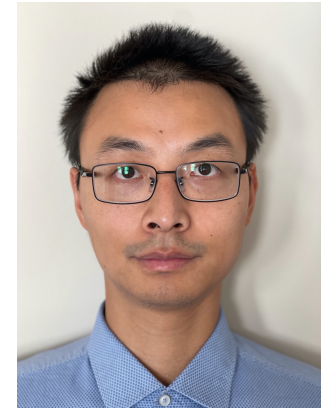


## Quntao Zhuang

[qzhuang@usc.edu](mailto:qzhuang@usc.edu)

<https://sites.usc.edu/zhuang>

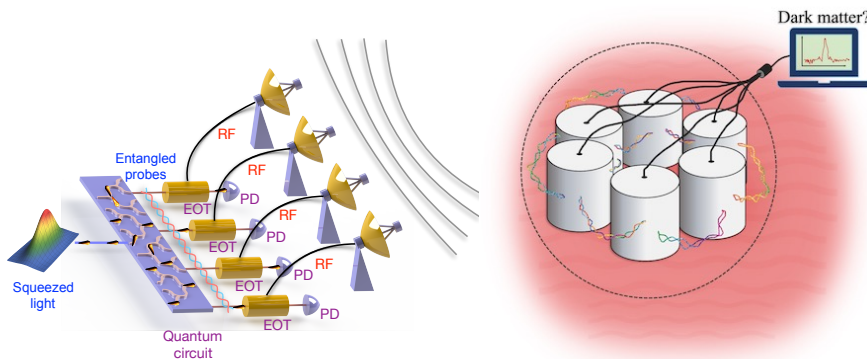


- Assistant Professor, Electrical and Computer Engineering
- Postdoc UC Berkeley(2018-2019), Ph.D. Physics MIT (2018); BS Peking University (2013)
- DARPA Young Faculty and Award Director's Award (2020, 2022); NSF CAREER Award (2022); MIT RLE Claude E. Shannon Research Assistantship.

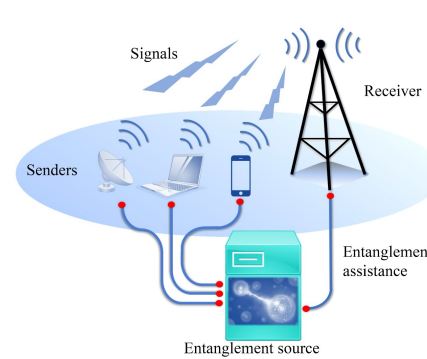
### Research interests:

- Quantum sensors. Entangled sensor networks, quantum limits of sensing.
- Quantum communication. Entanglement-assisted communication, quantum transduction.
- Quantum computing and optimization, with application in sensing and communication

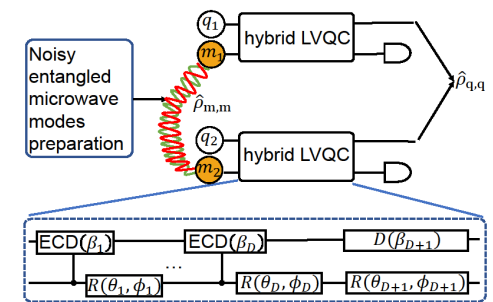
**Quantum sensing and communication**



Entangled sensor networks



Entanglement-assisted communication



Variational quantum transduction